



Fig. 6

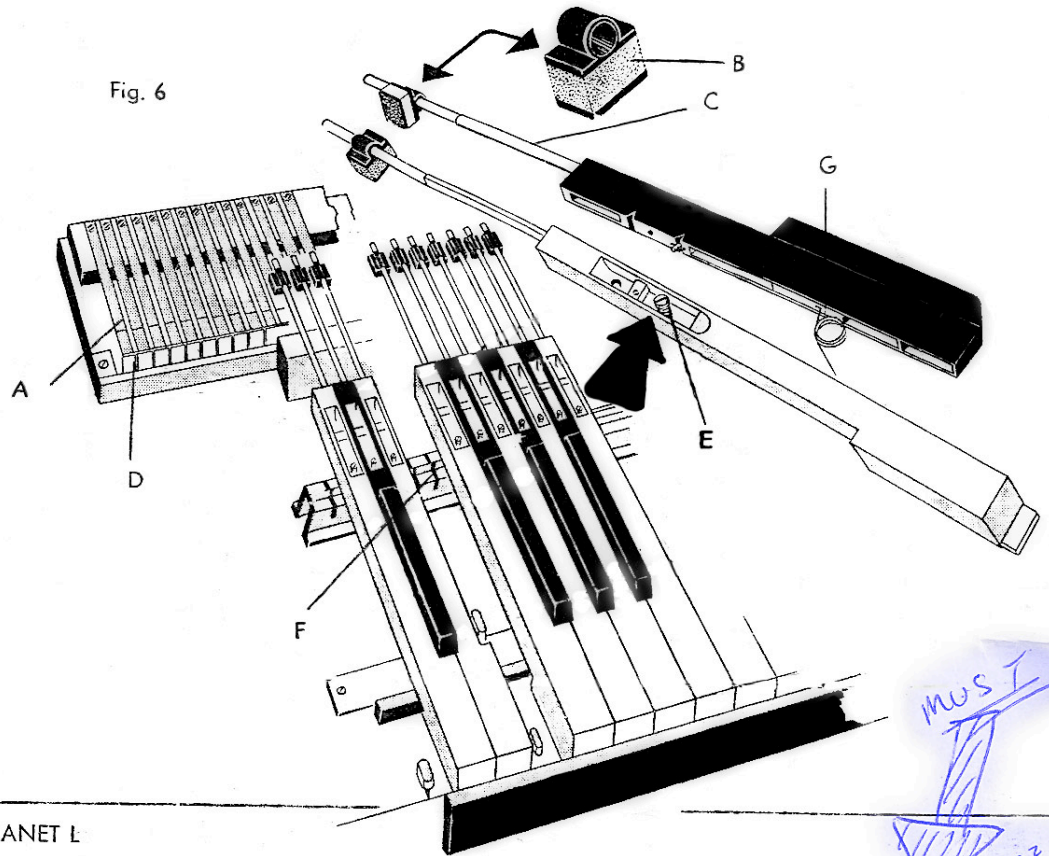
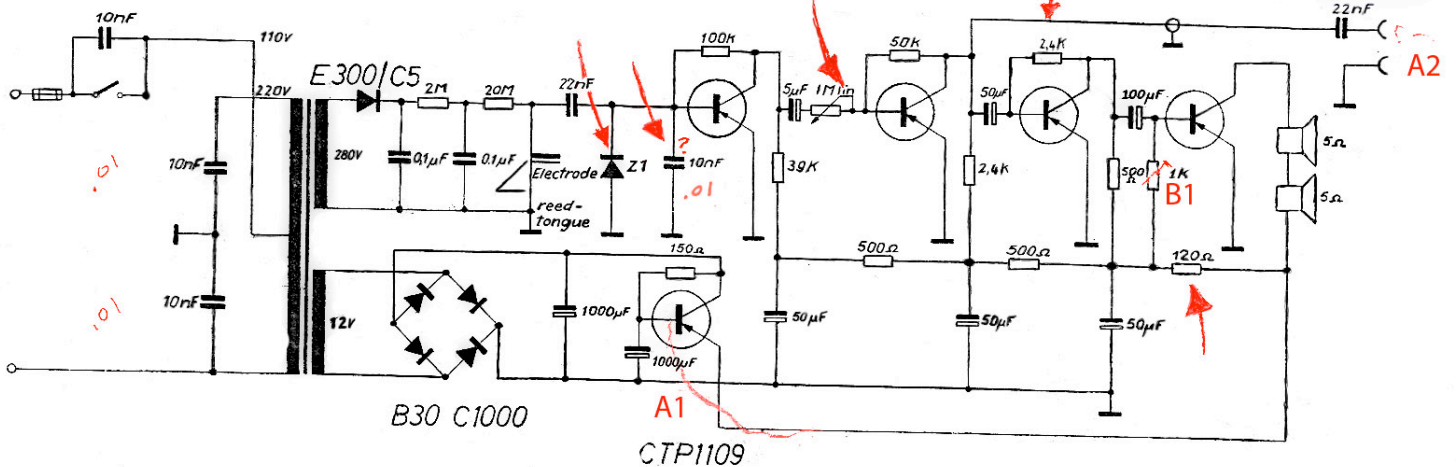


Diagram for HOHNER-PIANET L



E 71

Printed in Germany

RED MARKS - These are pencil marks made on the original print
 Marks A1 and A2 appear to be somewhat large but unintentional marks
 Mark B1 appears to be deliberate but I am not 100% positive of this

BLUE MARKS - Marks made on photocopy of original

This is a composited image of 2 damaged and aged copies of a document that I received with my Pianet L. To the best of my knowledge, the instrument I own has been modified to include a line output. The internal speakers have also been removed. It is configured to run off a 2 prong, non polarized 110V AC line with a LED to indicate power status. I am unsure at this time if the marks indicate any of these modifications. Please contact me with any comments or corrections. Please note the high voltages indicated in the schematic above.

HOHNER-PIANET L
 pianet@earth2willi.com



No warranty or liability expressed or implied.
 Original Documents © Hohner, retouched in 2007 by David 'willi' Wilhelm